

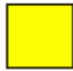
## HBL47CM20C -- Twist-Lock Plug



HBL47CM20C

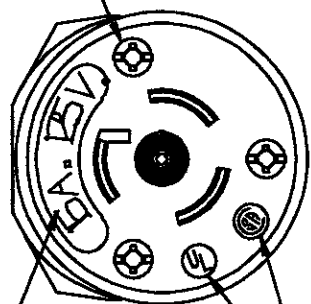
Yellow Insulgrip® plug has rugged nylon housing and detachable cord grip with range of .296-.687" (7.5-17.4) that utilizes a unique offset jaws arrangement to provide secure strain relief.

### Product Specifications

<b>Product Type</b>	Replacement Plugs
<b>Rating</b>	15A, 125V 2p3w
<b>Housing Type</b>	Standard
<b>Blade Type</b>	Locking
<b>Color</b>	 Yellow
<b>Poles and Wires</b>	2 Pole, 3 Wire Grounding
<b>Approvals</b>	UL, CSA
<b>Certified</b>	UL2305 OEM and replacement use on convention center flat cable cord sets.
<b>Moisture Resistance</b>	IP20
<b>M Drawings</b>	<a href="#">Click here for M-Drawing</a>
<b>Catalog Page</b>	<a href="#">Click here for catalog page V30</a>
<b>Hubbellnet</b>	<a href="#">Click here for Hubbellnet</a>
<b>Catalog Section</b>	<a href="#">Click here for Section-V</a>
<b>UPC Number</b>	78358516050
<b>Weight in LBs</b>	0.05

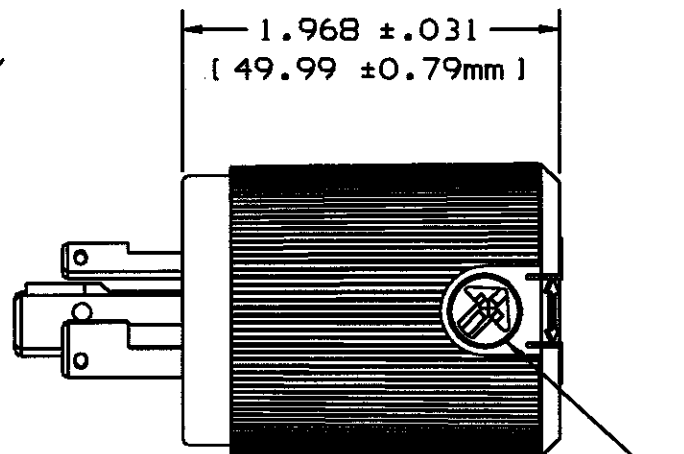
# M-7151 4

ALL SCREWS ARE COMBINATION ROBERTSON/PHILLIPS/SLOTTED HEAD



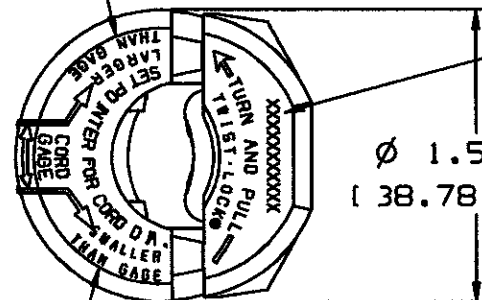
AGENCY LISTING PER TABLE

MOLDED IN RATING HOT STAMPED WITH IEC COLOR CODED BY VOLTAGE



INTEGRAL VARISIZE<sup>®</sup> INSERT

CORD CLAMP RANGE LARGER THAN GAUGE  
CORD: 18/3 TYPE S  
16/3 - 10/3  
TYPES: S, SO, SJ  
DIAMETER .325-.720 INCH  
(8.3-18.3mm)



CATALOG NUMBER

CORD CLAMP RANGE SMALLER THAN GAUGE  
CORD: 18/3-16/3  
TYPES: SV, SJ  
DIAMETER: .230-.360 INCH  
(5.8-9.1mm)

## LIST OF PARTS

DESCRIPTION	MATERIAL	FINISH
BLADE HOLDER	NYLON	NATURAL
RETAINER	LEXAN	CLEAR
COVER	NYLON	
INSERT	NYLON	
CORD CLAMP	NYLON	NATURAL
WIRE CLAMP	.062 CRS	NICKEL PL
CONTACT BLADES	.060 BRASS	*
BINDING SCREWS	BRASS	*
GROUND HEX HEAD BINDING SCREW	BRASS	GREEN
CORD CLAMP	STEEL	ZINC PL
ASSY SCREWS	STEEL	ZINC PL

\* WHITE FINISH ON NEUTRAL PARTS WHEN USED

NOTE:  
ON "CM" DEVICES, STEEL PARTS ARE MADE OF BRASS OR STAINLESS STEEL AND ALL BRASS PARTS ARE .0003 NICKEL PLATED.

CHEM-MARINE CAT. NO. (YELLOW COVER) & INSERT	CAT. NO. (YELLOW COVER) & INSERT	CAT. NO. (BLACK COVER) & INSERT	CONFIGURATION	RATING	IEC RATING COLOR	U.L.	C.S.A.
HBL47CM20C	_____	HBL4720C	NEMA 5-15P	15A. 125V.	YELLOW	YES	YES
HBL45CM70C	_____	HBL4570C	NEMA 6-15P	15A. 250V.	BLUE	YES	YES
HBL47CM70C	_____	HBL4770C	NEMA 7-15P	15A. 277VAC	GRAY	YES	YES
_____	HBL7567CY	HBL7567C	3 POLE 3 WIRE	15A. 125V. 10A. 250V.	BLACK	NO	NO

SYM	REVISIONS	APP	DATE
4	REMOVED "-" FROM CAT NO'S, CHGD SCREWS TO TRI-DRIVE PER DCN #7772. AMZ	DB	8/17/00
3	"HBL" REMOVED FROM CATALOG #'S IN CHEM-MARINE COLUMN IN TABLE PER DCN #3175 RCM	JZ	1/24/95
2	TABLE UPDATED: "ALL SCREWS..." ADDED; AGENCY LISTED... ADDED PER DCN #2840 RCM	JEZ	8/1/94
1	"X" REMOVED PER DCN #1808 RCM	VFL	6/30/93

THE DESIGN AND DIMENSIONS OF THE PRODUCT SHOWN ON THIS DRAWING ARE SUBJECT TO CHANGE WITHOUT NOTICE

TITLE  
INSULGRIP<sup>®</sup>  
2 POLE 3 WIRE  
GROUNDING TWIST-LOCK<sup>®</sup>  
PLUGS

TOLERANCES UNLESS OTHERWISE SPECIFIED	WIRING DEVICE-KELLEMS HUBBELL INCORPORATED BRIDGEPORT, CT	
FRACTIONS ± 1/64	DR. BY RCM	APP. BY VFL
DECIMALS ± .005	TR. BY	SCALE $\neq$
ANGLES ± 2°	CHK'D BY ZIMM	DATE 6/30/93

Marine Products

# 15 Ampere, 125V AC

2 Pole 3 Wire

## TWIST-LOCK® Locking Type Devices



HBL47CM00



HBL52CM21 HBL52CM21W



HBL47CM20C



HBL60CM23



HBL47CM29C



HBL60CM24



HBL47CM15



HBL47CM16



15A 125V

NEMA L5-15R

### 15A 125V AC Twist-Lock Devices

Description	Catalog Numbers
Yellow duplex receptacle has heat resistant body. <b>IP20 SUITABILITY.</b>	<b>HBL47CM00</b>
Yellow Valox® spring-loaded lift cover plate for weatherproofing duplex receptacles. Stainless steel screws and neoprene gasket included for mounting to FS/FD type weatherproof boxes. <b>IP20 SUITABILITY.</b>	<b>HBL52CM21</b>
Same as #HBL52CM21 except white in color. <b>IP20 SUITABILITY.</b>	<b>HBL52CM21W</b>
Same as #HBL52CM21 except gray in color. <b>IP20 SUITABILITY.</b>	<b>HBL5221</b>
Same as #HBL52CM21 except for mounting to standard boxes. <b>IP20 SUITABILITY.</b>	<b>HBL52CM22*</b>
Same as #HBL52CM22 except gray in color. <b>IP20 SUITABILITY.</b>	<b>HBL5222*</b>
Yellow Insulgrip® plug has rugged nylon housing and detachable cord grip with range of .296"-.687" (7.5-17.4) that utilizes a unique offset jaws arrangement to provide secure strain relief. <b>IP20 SUITABILITY.</b>	<b>HBL47CM20C</b>
Short yellow Seal-Tite® cover for weatherproofing #HBL47CM20C Insulgrip® plug when used with receptacles or connector bodies. Also can be used to weatherproof #HBL47CM29C Insulgrip® connector body when used with #HBL47CM16 flanged inlet. <b>IP55 SUITABILITY.</b>	<b>HBL60CM23+</b>
Yellow Insulgrip® connector body has rugged nylon housing and detachable cord grip with range of .296"-.687" (7.5-17.4) that utilizes a unique offset jaws arrangement to provide secure strain relief. <b>IP20 SUITABILITY.</b>	<b>HBL47CM29C</b>
Yellow Seal-Tite® cover for weatherproofing #HBL47CM29C Insulgrip® connector body when used on extension cords and adapters. <b>IP20 SUITABILITY.</b>	<b>HBL60CM24+</b>
Panel mount flanged outlet has heat resistant melamine interior and stainless steel casing. <b>IP20 SUITABILITY.</b>	<b>HBL47CM15</b>
Panel mount flanged inlet has heat resistant melamine interior and stainless steel casing. <b>IP20 SUITABILITY.</b>	<b>HBL47CM16</b>
Three conductor, #14 AWG type STW, yellow PVC jacketed portable cord has jute fillers for added flexibility and is ideal for making cable sets, extension cords and adapters as it will not mark the boat's deck. Available in 250' (76.2m) lengths only.	<b>YC314250*</b>

Notes: \*Not shown.

+ Boots are not UL listable.

Valox® is a registered trademark of General Electric Company.